





Connections

substance	type SAR	operating pressure	connecting hose	delivery hose possible lengths
oil	12-10/15 Ö	120 bar	1 m, DN 12, G 1/2"	10/15 m, DN 12, G 1/2"
grease	6-10/15 F	400 bar	1 m, DN 6, G 1/4"	10/15 m, DN 6, G 1/4"
diesel/fuel oil	16-8 D	60 bar	1 m, DN 20, G 3/4"	8 m, DN 16, G 3/4"
air/water	10-10/15 L	20 bar	1 m, DN 10, G 3/8"	10/15 m, DN 10, G 3/8"
cooling agent	12-10/15 K	120 bar	1 m, DN 12, G 1/2"	10/15 m, DN 12, G 1/2"
hot water	10-10/15 H	200 bar	1 m, DN 10, G 3/8"	10/15 m, DN 10, G 3/8"

erating pressure

connecting ho

120 bar

1 m, DN 12, G

400 bar

1 m, DN 6, G

60 bar

1 m, DN 20, G

20 bar

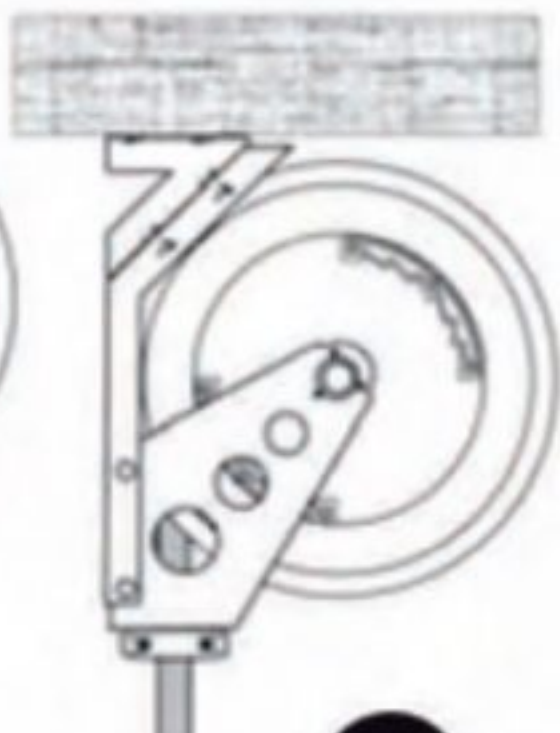
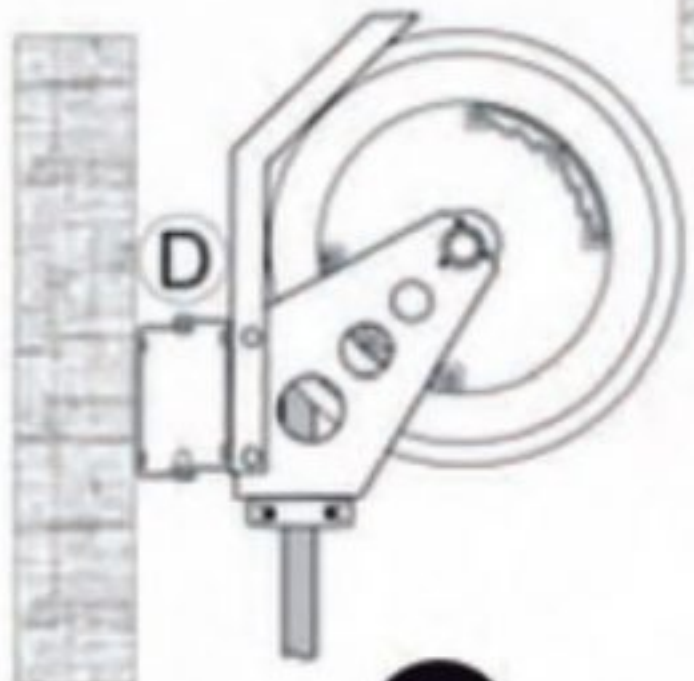
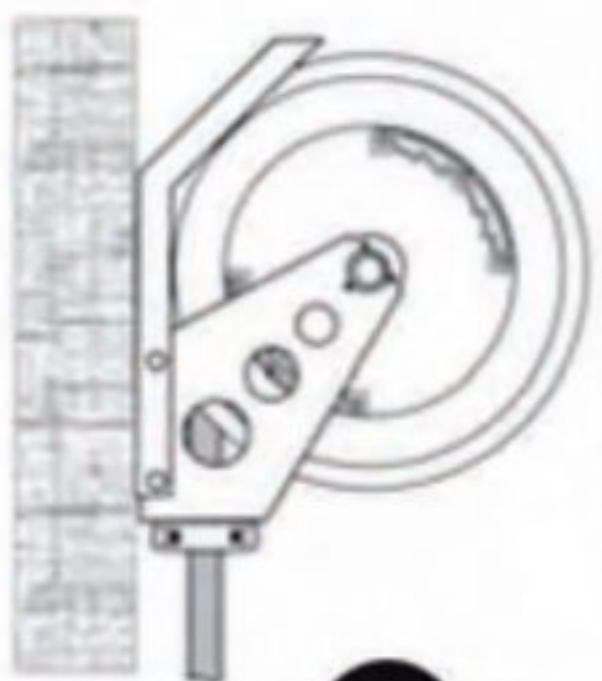
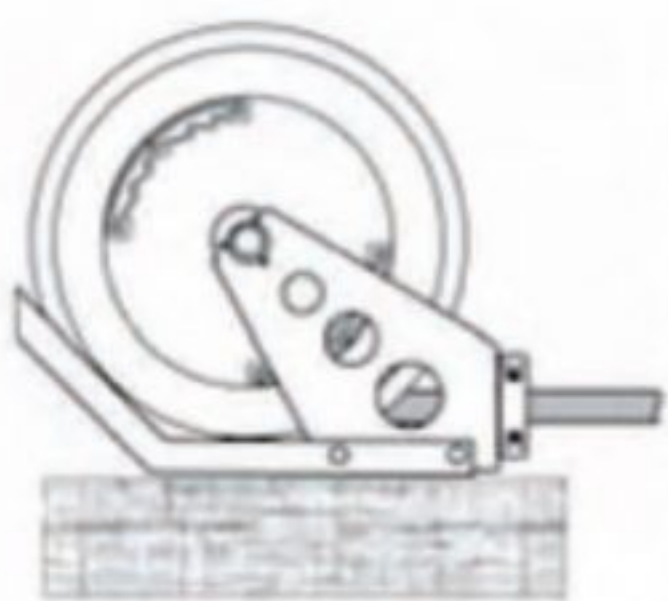
1 m, DN 10, G

120 bar

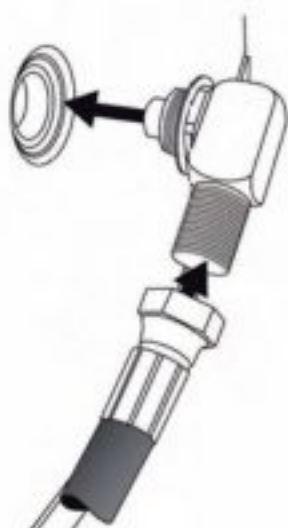
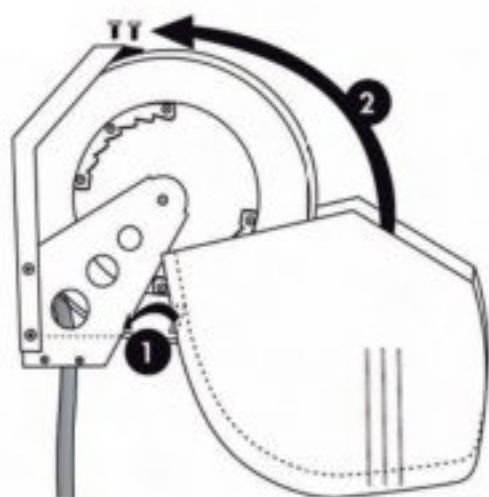
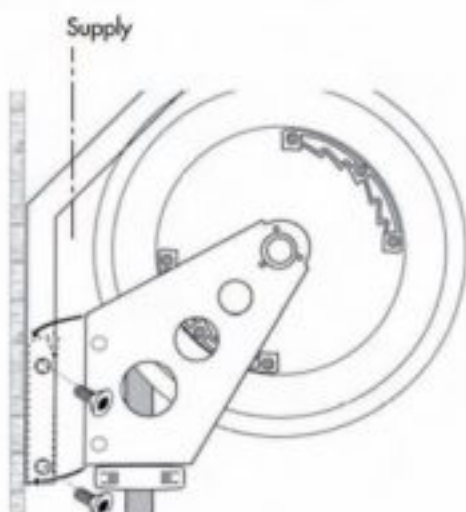
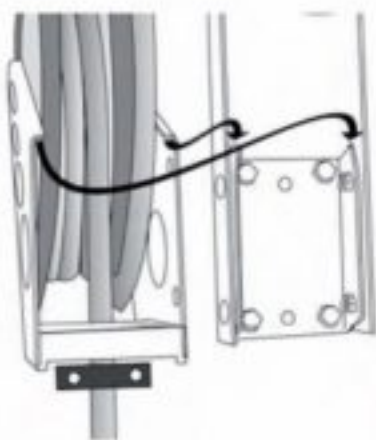
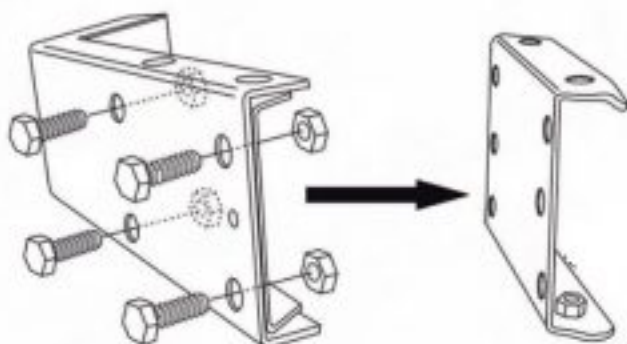
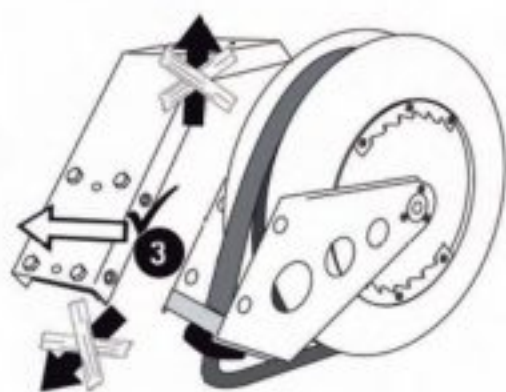
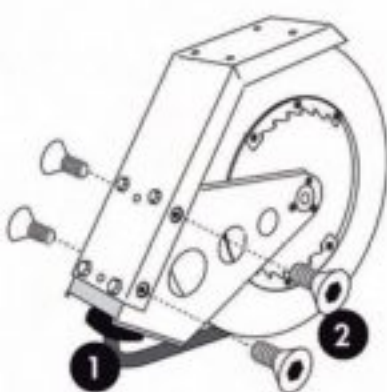
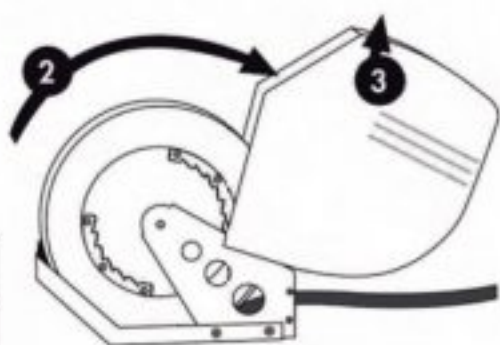
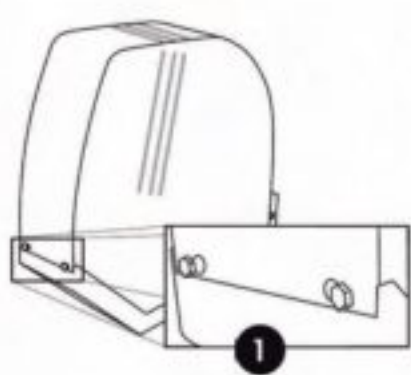
1 m, DN 12, G

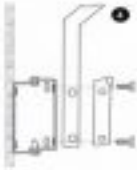
200 bar

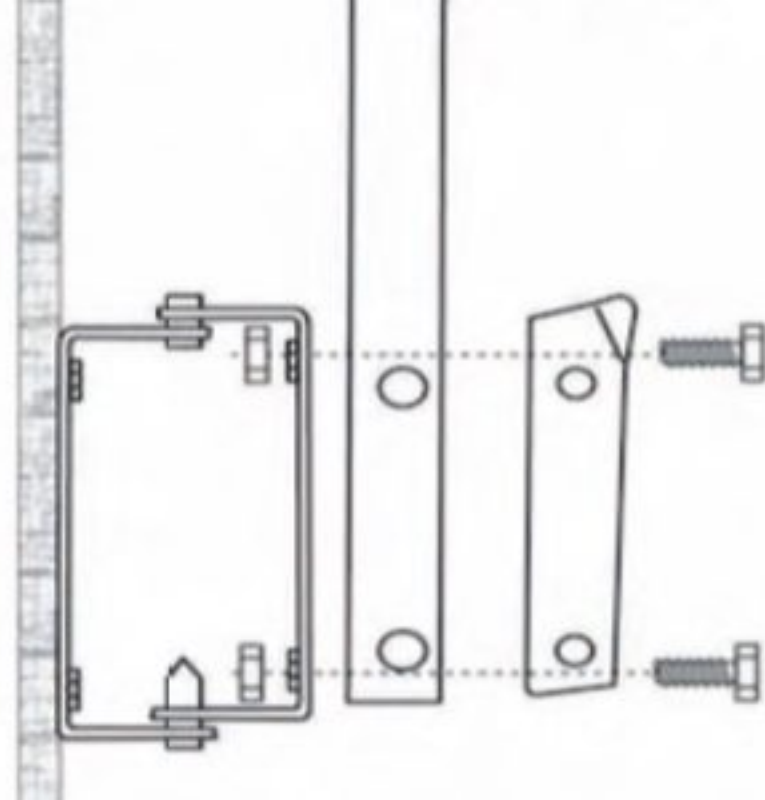
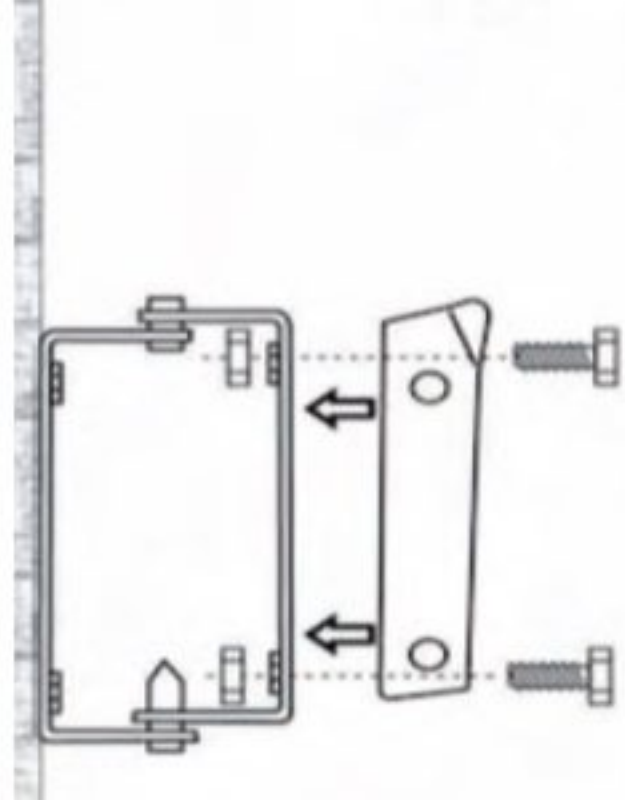
1 m, DN 10, G











Technical specifications

hose reel type	swivel joint	weights		length	dimensions mm	
		from	to		breadth	height
open, wall/floor installation	–	16,8	19,5	472	152	498
open, ceiling installation	–	20,4	23,1	475	158	520
closed, wall/floor installation	inside	23,8	26,5	495	170	508
closed, wall/floor installation	outside	23,4	26,1	495	158	508
closed, ceiling installation	inside	23,2	25,9	495	170	520
closed, ceiling installation	outside	23,6	26,3	495	158	520



